

Digital Heating Thermostat User Manual

Many thanks for your selection of our products and services, and also for your trust and support to us.

Features

Appearance

- (1) Standard total Size is 86*86mm
- (2) Touch buttons to make simple operation
- (3) The visible thickness above the wall is only 15mm86mm
- (4) hidden box and 60mm European box
- (5) Display size : 64*64mm
- (6) Color:white,black
- (7) Color:white,black

Functions

- (A) Including built-in sensor and external sensor
- (B) 0.5°C accuracy keeps temperature within the level you set.
- (C) Children lock to prevent misoperation by children
- (D) Data memory when power is off.
- (E) Holiday mode make you enjoy more comfortable temperature in holiday
- (F) The temperature of external sensor can be checked

Product Specifications

- ☆ Power: 90-240Vac 50/60HZ
- ☆ Max. control accuracy: 0.5°C
- ☆ Contact capacity: 3A/250V(WW);16A/250V(WE)
- ☆ Limit temperature range: 0~70°C
- ☆ Default setting temperature range: 5~35°C
- ☆ Range of temperature display: 0~40°C
- ☆ Probe sensor: NTC(10k)1%
- ☆ Output: Switch relay
- ☆ Insulating condition: Normal environment
- ☆ Size(mm): 86*86*27

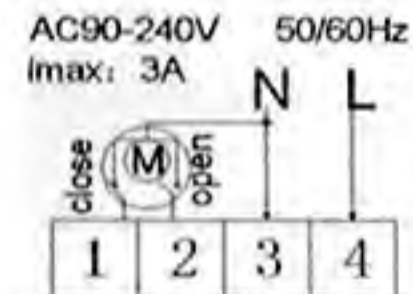
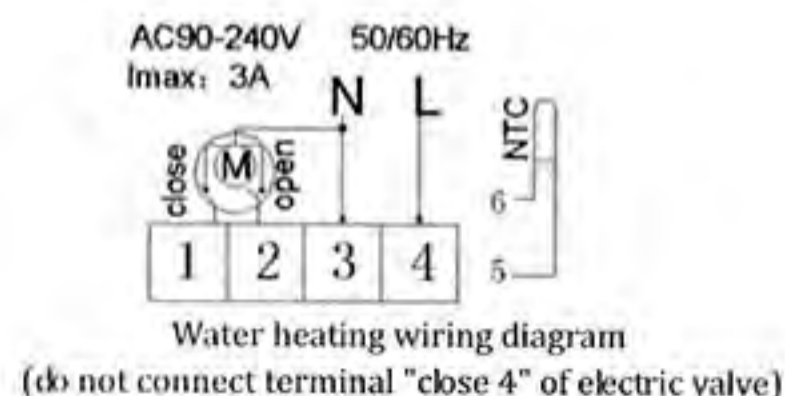
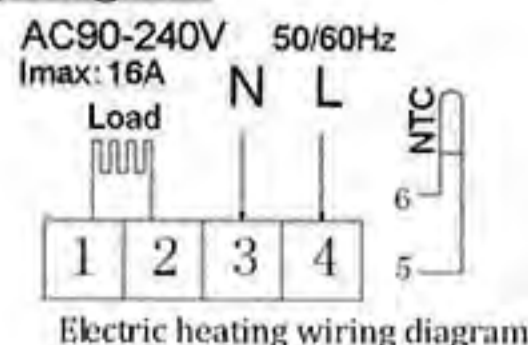
Before wiring and installation

1. Read these instructions carefully. Failure to follow them could damage the product or cause a hazardous condition.
2. Check the ratings given in the instructions and on the product to make sure the produce is suitable for your application.
3. Installer must be a trained experienced service technician.
4. After installation is complete.check out produce operation as provided in these instructions

CAUTION

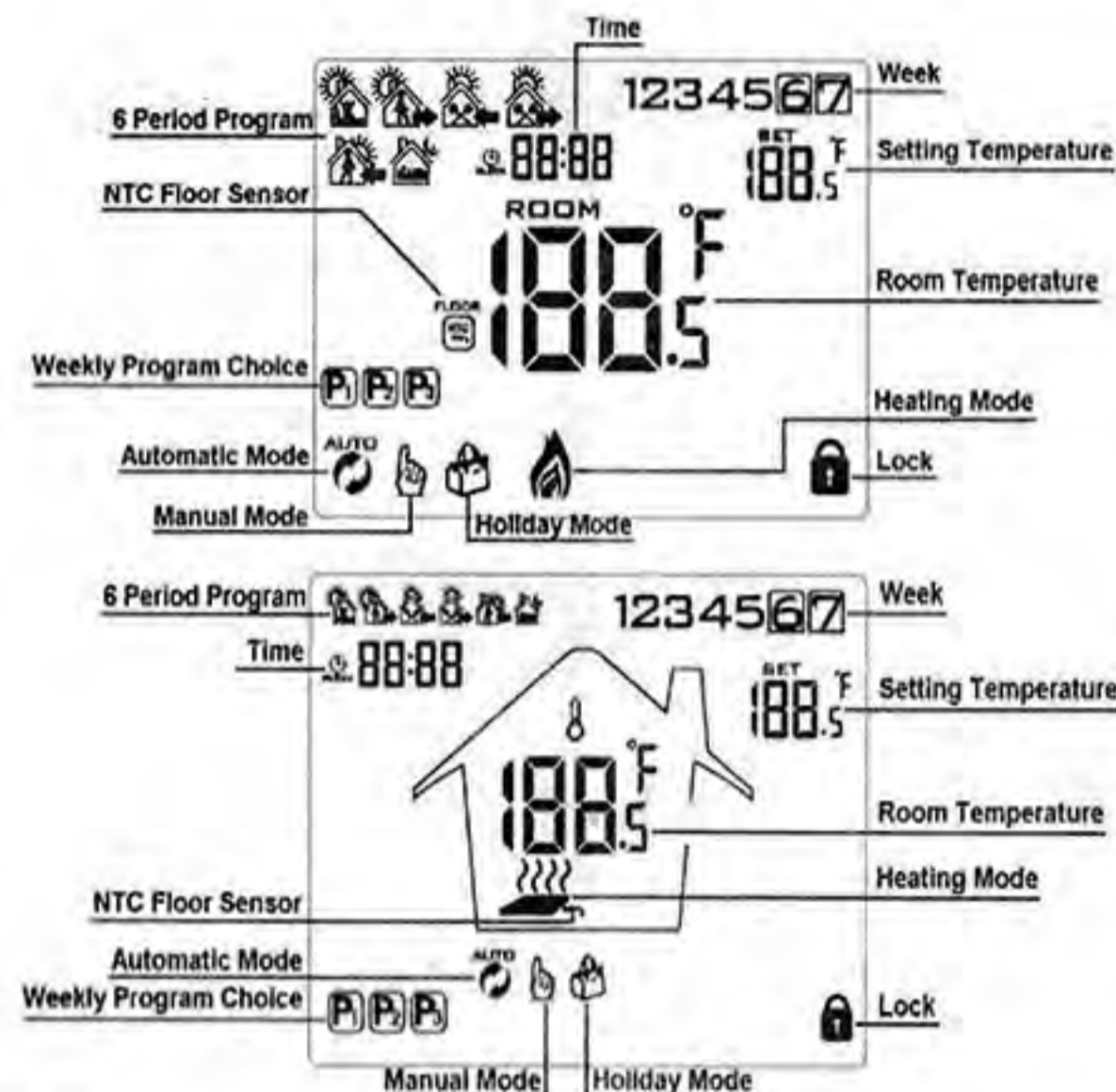
Electrical shock or equipment Damage Hazard or short equipment circuitry.
Disconnect power supply before installation

Wiring Diagram



Water heating and gas wall-hung boiler heating,
no contact wiring diagram,(disconnection when electric valve close)
Note:3 & 4 connect with power, 5 & 6 connect with gas boiler,
1& 2 connect with thermal actuator, please do not connect
1&2 to gas boiler,If you connect it wrongly, there will be
Short circuit,our gas boiler board will be damaged.

Displays



Description of icon

- Auto mode;run preset program
- Temporary manual mode
- Holiday mode, Holiday days and temperature can be set to run in countdown mode
- Heating,,icon disappears to stop heating
- Child lock
- Manual mode
- Clock
- External NTC sensor value

Operation key

NO	symbols	represent
A		Turn ON/OFF:Short press to turn on/ turn off
B		1 Short press to switch automatic mode and manual mode 2 Turn on thermostat, long press for 3-5 seconds to enter into programmable setting 3 Turn off thermostat, long press for 3-5 seconds to enter into advanced options setting

C		1 Confirm key: use it with key 2 Only short press it to set time 3 Turn on thermostat, long press it for 3-5seconds to holiday mode setting. Appear OFF , press or change to ON, then press to confirm opening holiday mode
B		1 Decrease key 2 Long press to lock /unlock keys
D		1 Increase key : 2 Long press to inquire external sensor temperature 3 In the Auto model, press or enter to temporary manual mode

Programmable

5+2 (factory default), 6+1 and 7 models 6 times period setting for user choose. In the advanced options choose model of you need, under power on state, long press for 3-5 seconds enter into programming mode setting, then short press choose: hour, minute, time period, and press and to adjust data, finished setting, about 10 seconds will automatic save and exist.

Wake up	Out door	Back home	Out door	Back home	Sleep
6: 00 20°C	8: 00 15°C	11: 30 15°C	13: 30 15°C	17: 00 15°C	22: 00 15°C

The optimum comfort temperature is 18°C-22°C

Advanced options

Turn off thermostat, long press for 3-5 seconds to access advanced options setting. From A1 to AE, short press to choose the option, and adjust data by , , short press to switch next option. Remain about 5 seconds after setting finished will quit setting.

NO	Setting Options	Data Setting Function	Factory Default
A1	Measure Temperature Calibration	-9-+9°C	Current room temperature and 0.5°C accuracy to calibration
A2	Start/stop working temperature difference setting	0.5-2.5°C	1°C
A3	Children lock setting	0:half lock 1:full lock	0
A4	Turn on/off state memory after electricity cut	0:Keep the same state(on/off) as electricity return 1:Turn off state after electricity return 2:Turn on state after electricity return	0: Turn on/off state memory after electricity cut
A5	Backlight time	50-30 seconds	10
A6	Run weekly programming selection	0: (5+2)/1: (6+1) /2: (7days)	0: (5+2)

A7	Setting temperature minimum limit	1-10°C	5°C
A8	Setting temperature maximum limit	20-70°C	35°C
A9	Low temperature protection	1. 1-10°C 2. Exceed 10°C, screen display 【--】 , low temperature protection was canceled.	5°C
AA	High temperature protection for external sensor	1. 20°C-70°C 2. Under 70°C, screen display 【--】 , high temperature protection was canceled	45°C
AB	High temperature protection temperature difference setting	1-9°C	2°C
AC	Run ventilation mode setting(open window)	10-20°C, when display 10°C, press display -- means ventilation mode was canceled	--
AD	Working time of ventilation mode	10-20minutes	10
AE	Reset factory setting	Display A 0, press OK key till whole icons show	

Return difference : limit valve of external sensor is 45°C for factory default (AA), value of external sensor control return difference (AB) is 2. when temperature rise to 45°C, then relay stop working and will remind high temperature production alarm. If temperature decline to 43°C relay continue to work and heating alarm will be relieved. (it can be operated, only when indoor temperature is lower than setting temperature)

Turn off thermostat, long press to access B advanced options setting. From BN to BO, short press to choose the option, and adjust data by , , short press to switch next option. Remain about 10 seconds after setting finished will quit setting.

NO	Setting Options	Data Setting Function	Factory Default
BN	Options of sensor control	N1:Built-in sensor (high temperature protection close) N2:External sensor (high temperature protection close) N3:Built-in sensor control temperature, external sensor limit temperature (external sensor detect the temperature is higher than highest temperature of external sensor, thermostat will disconnect relay, turn off load)	N1
BC	Descaling	0: open 1: close	1°C
BO	Program data	Can't be changed	10

Sensor fault display: please choose correct working way of built-in and external sensor; if choose wrongly or sensor fault (breakdown), "E1" or "E2" will be displayed on the screen. Thermostat will stop heating until the fault is eliminated

Warranty:

We offer the warranty of 18 months, from the sales day. The products of our company can have lifetime warranty, if it is not the quality problems, or beyond the warranty period, we will charge for the after-sale service.